



PUMPS AUSTRALIA

BETTER • FASTER • EASIER



JET PRESSURE PUMP

TECHNICAL DATA

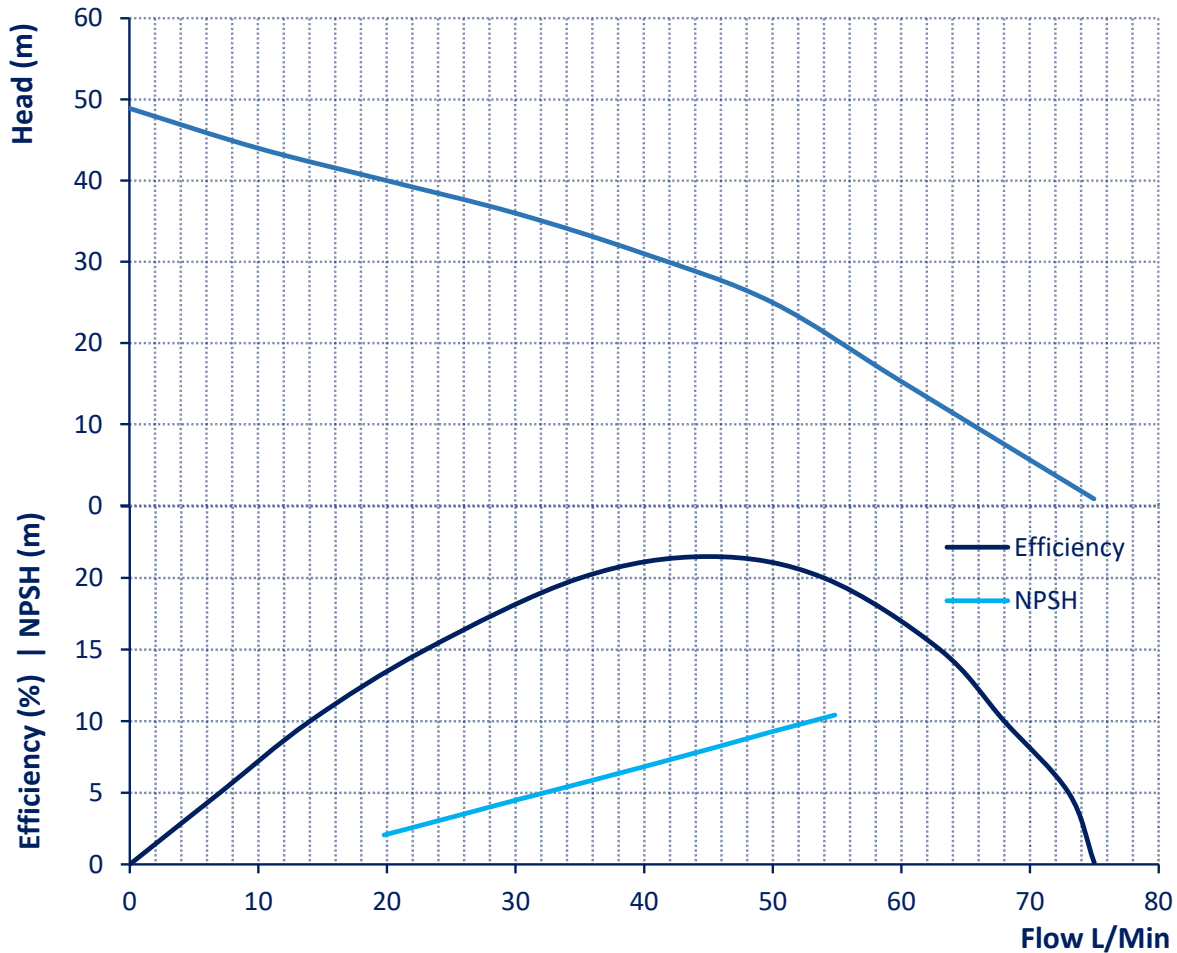
MODEL: PRJ80E
CODE: 20579

MAX HEAD 48M
MAX FLOW 75L/Min
MOTOR POWER 740W
DISCHARGE SIZE 25MM, 1"



CHARACTERISTIC CURVE & PERFORMANCE DATA

JET PRESSURE PUMP PRJ80E

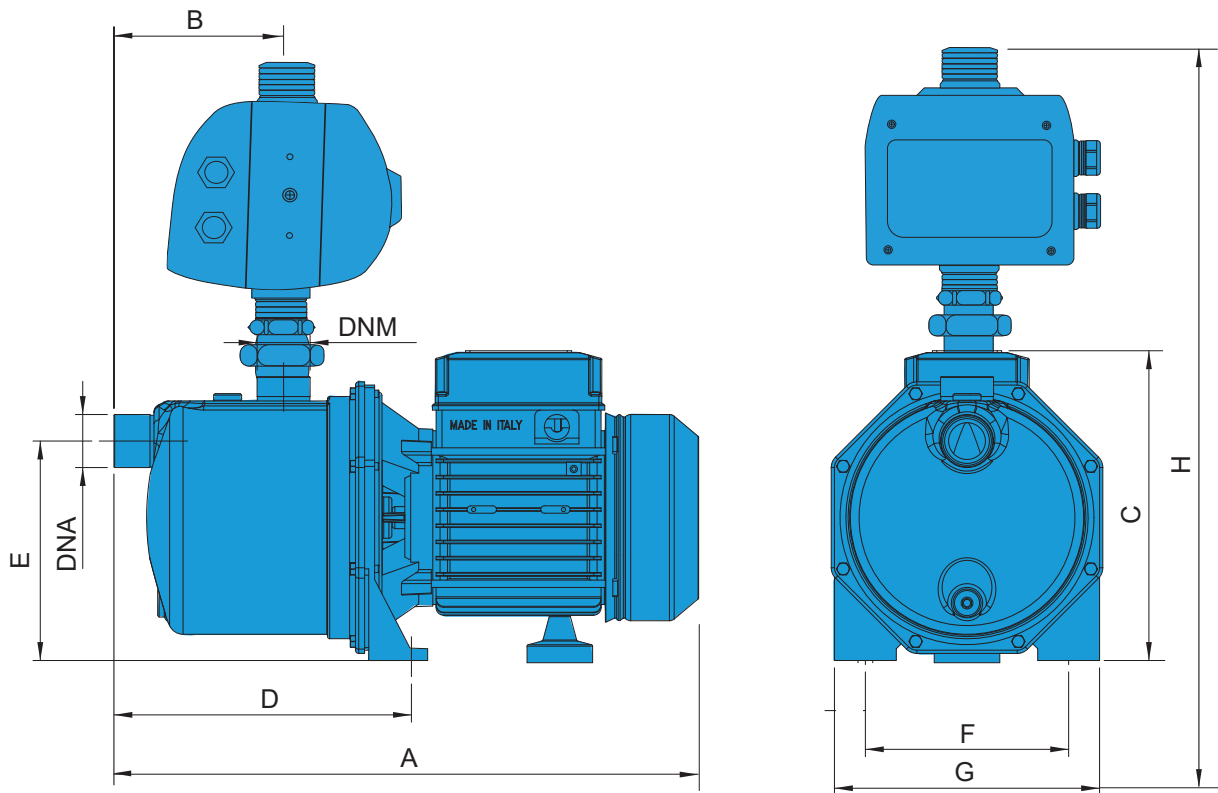


TYPE	Nominal Power (P2)		Input Power (P1)	Capacitor	Input Current	L/MIN	0	10	20	30	40	50	60	70	80
	W	HP				Watt	μF	240V	HEAD (M)	48.9	44	40	36	31	25
Single Phase						EFFICIENCY	0	7	13	17	21	21	16	7	-
PRJ80E	740	1	990	16	4.5A	NPSH	-	-	3	4	7	9	-	-	-
						SHAFT POWER P2(KW)	0.9	0.94	0.6	0.97	0.97	0.96	0.89	0.89	0.83

NOTE: Efficiency Percentage (%) refers to the percentage of power consumed by the motor during operation. This calculation is taken from the P1 Power.

Ascento Group reserves the right to make changes without prior notice

DIMENSIONS & WEIGHT



JET PRESSURE PUMP PRJ80E

MODEL	DIMENSIONS (MM)										PACKING (MM)			WEIGHT (KG)
	A	B	C	D	E	F	G	H	DNA	DNM	L	W	H	
PRJ80E	400	105	96	215	150	96	206	390	1"	1"	440	190	250	9.6